

# LF Series Line Filters



## Features

- Broad frequency attenuation
- Closed magnetic core minimizes EMI
- Wide selection available
- Available in vertical and horizontal

## Applications

- Off-Line Switch Mode Power Supplies
- Conducted EMI Filters
- Office Equipment
- Medical Equipment

## Electrical Specifications

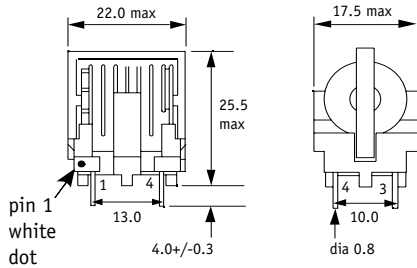
Part Number	Inductance (mH min)	L1&L2 (mH max) Difference	SRF (kHz min)	I rated (Amps)	DCR ( $\Omega$ max)
LF-20002-1040-__	104.0	3.0	125.0	0.2	6.09
LF-20003-0430-__	43.0	1.0	200.0	0.3	2.46
LF-20004-0260-__	26.0	1.0	275.0	0.4	1.48
LF-20005-0190-__	19.0	0.5	330.0	0.5	1.04
LF-20006-0120-__	12.0	0.5	445.0	0.6	0.67
LF-20007-0100-__	10.0	0.4	520.0	0.7	0.52
LF-20008-0068-__	6.8	0.3	640.0	0.8	0.39
LF-20010-0053-__	5.3	0.3	750.0	1	0.28
LF-20011-0040-__	4.0	0.3	880.0	1.1	0.24
LF-20013-0027-__	2.7	0.2	1120.0	1.3	0.16
LF-20015-0021-__	2.1	0.2	1310.0	1.5	0.13
LF-20017-0017-__	1.7	0.2	1600.0	1.7	0.10
LF-20022-0010-__	1.0	0.1	1780.0	2.2	0.07
LF-20030-0006-__	0.6	0.1	2680.0	3	0.04
LF-24004-0800-__	80.0	2.0	160.0	0.4	2.87
LF-24005-0500-__	50.0	1.0	190.0	0.5	1.68
LF-24006-0350-__	35.0	1.0	230.0	0.6	1.17
LF-24008-0200-__	20.0	0.5	330.0	0.8	0.70
LF-24010-0150-__	15.0	0.3	400.0	1	0.48
LF-24012-0095-__	9.5	0.3	540.0	1.2	0.29
LF-24016-0060-__	6.0	0.3	640.0	1.6	0.20
LF-24020-0042-__	4.2	0.2	870.0	2	0.14
LF-24025-0024-__	2.4	0.2	1230.0	2.5	0.08
LF-24032-0014-__	1.4	0.2	1600.0	3.2	0.05
LF-28006-0690-__	69.0	2.0	150.0	0.6	1.50
LF-28008-0430-__	43.0	1.0	190.0	0.8	0.95
LF-28010-0280-__	28.0	1.0	250.0	1	0.59
LF-28013-0180-__	18.0	0.5	330.0	1.3	0.34
LF-28015-0140-__	14.0	0.3	360.0	1.5	0.29
LF-28016-0120-__	12.0	0.3	420.0	1.6	0.22
LF-28020-0070-__	7.0	0.3	600.0	2	0.16
LF-28024-0048-__	4.8	0.2	720.0	2.4	0.11
LF-28030-0029-__	2.9	0.2	1230.0	3	0.07
LF-28040-0015-__	1.5	0.2	1400.0	4	0.04
LF-35008-1100-__	110.0	3.0	85.0	0.8	1.78
LF-35010-0690-__	69.0	2.0	120.0	1	1.11
LF-35015-0306-__	30.6	1.0	190.0	1.5	0.48
LF-35020-0225-__	22.5	1.0	210.0	2	0.33
LF-35030-0108-__	10.8	0.4	420.0	3	0.15
LF-35040-0044-__	4.4	0.2	670.0	4	0.07
LF-35060-0025-__	2.5	0.2	1020.0	6	0.04

\*Measured @ 1kHz, 0.1 V rms

# Line Filters

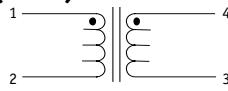
# LF Series

## LF-20 Vertical

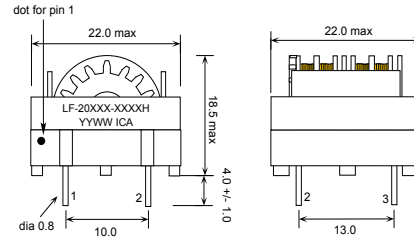


Packaging: Tray=100 pieces, Box=12 trays, Box=1200 pieces

## LF-20 Schematic (V&H)

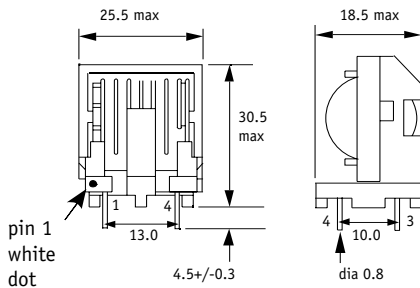


## LF-20 Horizontal



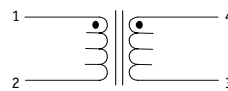
Packaging: Tray=48 pieces, Box=12 trays, Box=576 pieces units: mm

## LF-24 Vertical

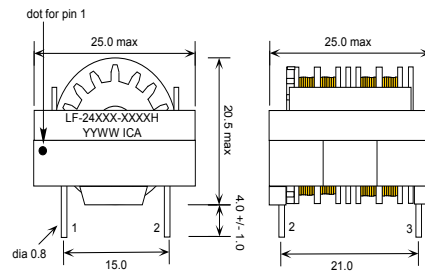


Packaging: Tray=100 pieces, Box=4 trays, Box=400 pieces

## LF-24 Schematic (V&H)

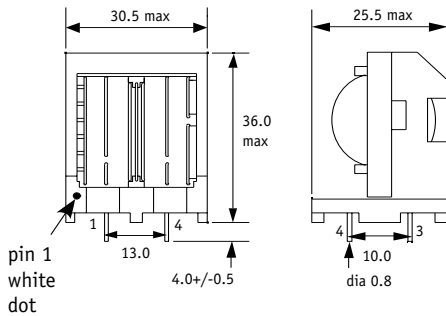


## LF-24 Horizontal



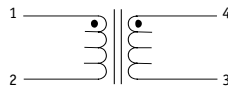
Packaging: Tray=48 pieces, Box=12 trays, Box=576 pieces units: mm

## LF-28 Vertical

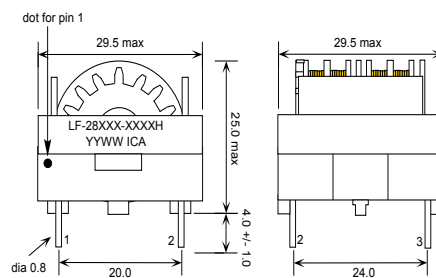


Packaging: Tray=77 pieces, Box=5 trays, Box=385 pieces

## LF-28 Schematic (V&H)

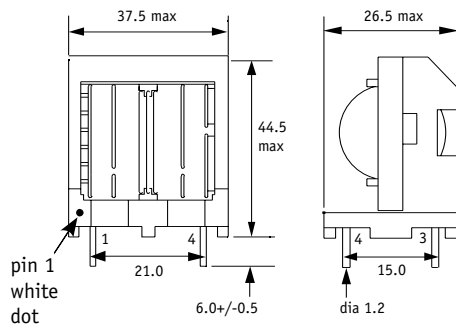


## LF-28 Horizontal



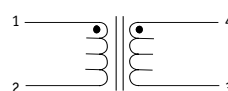
Packaging: Tray=40 pieces, Box=5 trays, Box=200 pieces units: mm

## LF-35 Vertical

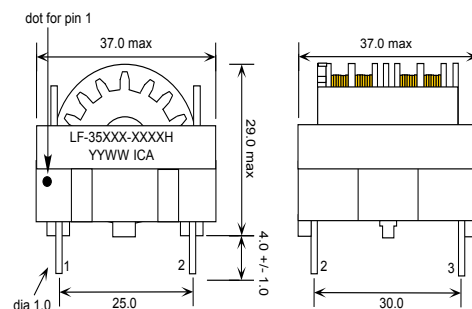


Packaging: Tray=48 pieces, Box=4 trays, Box=192 pieces

## LF-35 Schematic (V&H)



## LF-35 Horizontal



Packaging: Tray=32 pieces, Box=6 trays, Box=192 pieces units: mm